



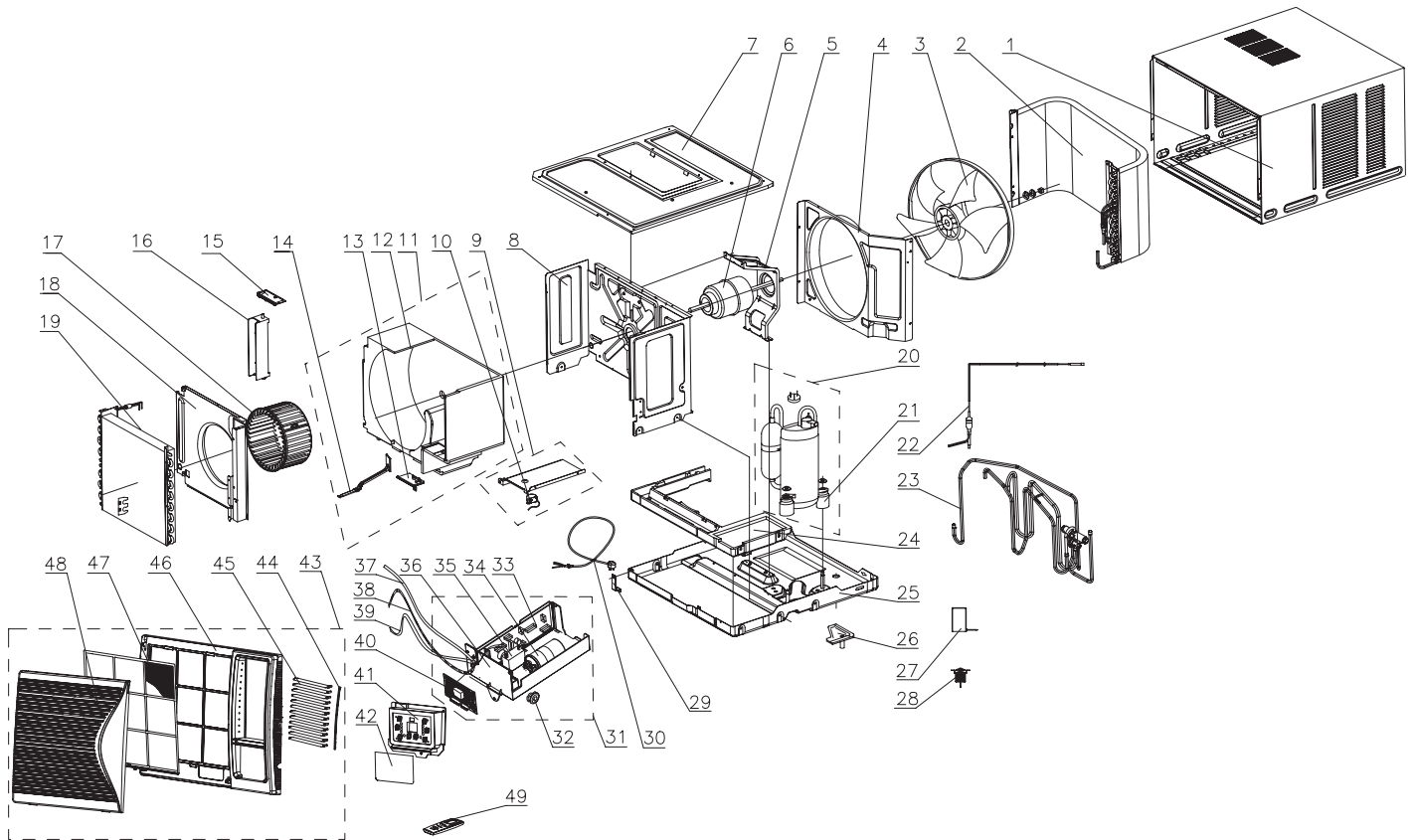
# R410A WINDOW UNIT

## SPARE PARTS LIST

August 2023

# GJH09AF-K3RNB9D

## Exploded View



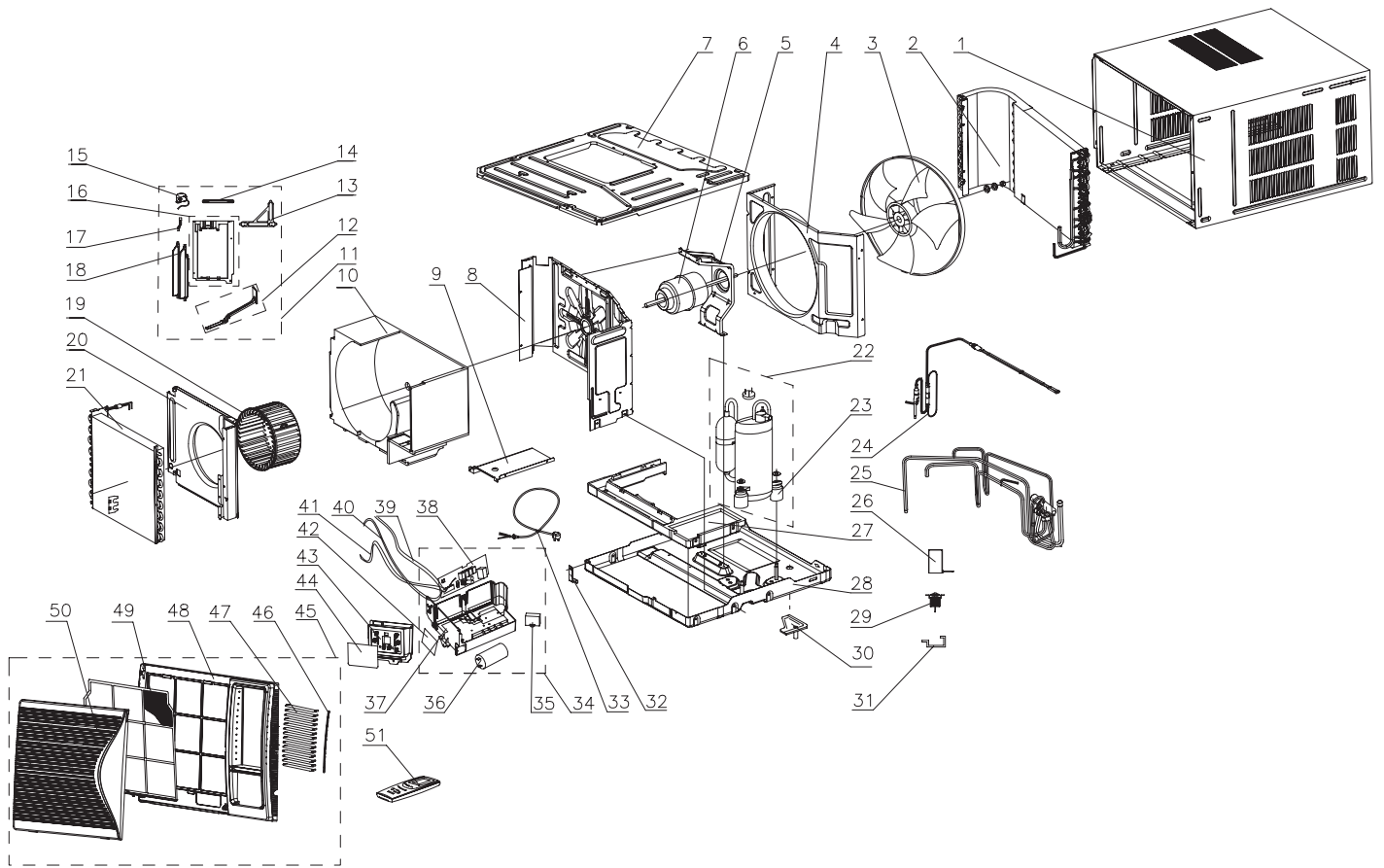
**GJH09AF-K3RNB9D**

## Spare Parts List

No.	Part Description	Part Code
1	Cabinet Assy	143111601
2	Condenser Assy	0110110801
3	Axial Flow Fan	10331365
4	Rear Clapboard	01231095
5	Motor Support	01701301
6	Fan Motor	15011307
7	Top Connecting Plate Assy	01381015
8	Front Clapboard Sub-Assy	1231316
9	Base Plate Of Air Flue	01221303
10	SteppingMotor	15211008
11	Propeller housing Assy	12101303
12	Propeller Housing	12101362
13	Base of Swing Louver	10521362
14	Air Door Lever	10581303
15	Cross Beam	24241364
16	Air Louver	10511033
17	Centrifugal Fan	10311004
18	Front Clapboard of Propeller Housing	0123131401
19	Evaporator Assy	01001095
20	Compressor and Fittings	00101293
21	Compressor Gasket	76710287
22	Capillary Sub-assy	03001966
23	4-Way Valve Assy	03021226
24	Water Tray Sub-Assy	12411006
25	Chassis Sub-assy	0120110504P
26	Drainage Box	20181125
27	Magnet Coil	430004017
28	Drainage Valve	07100164
29	Chassis Clamp	01211307
30	Power Cord	40020491
31	Electric Box Assy	20101417
32	Sleeving	4203240201
33	Main Board	30132091
34	Capacitor CBB61S	33010010
35	Capacitor CBB65	33000017
36	Electric Box	20111030
37	Temperature Sensor	390000596
38	Temperature Sensor	390000451
39	Temperature Sensor	390000372
40	Display Board	30562019
41	LCD Board(Remote Control)	20120036
42	Membrane	2243113201
43	Front Panel Assy	20001442
44	Guide Blade Lever	10581305
45	Air Louver	10511127
46	Front Case	20001419
47	Filter Sub-Assy	11121304
48	Front Panel 1	20001435S
49	Remote Controller	30511030

# GJH12AD-K3RNB9D

## Exploded View



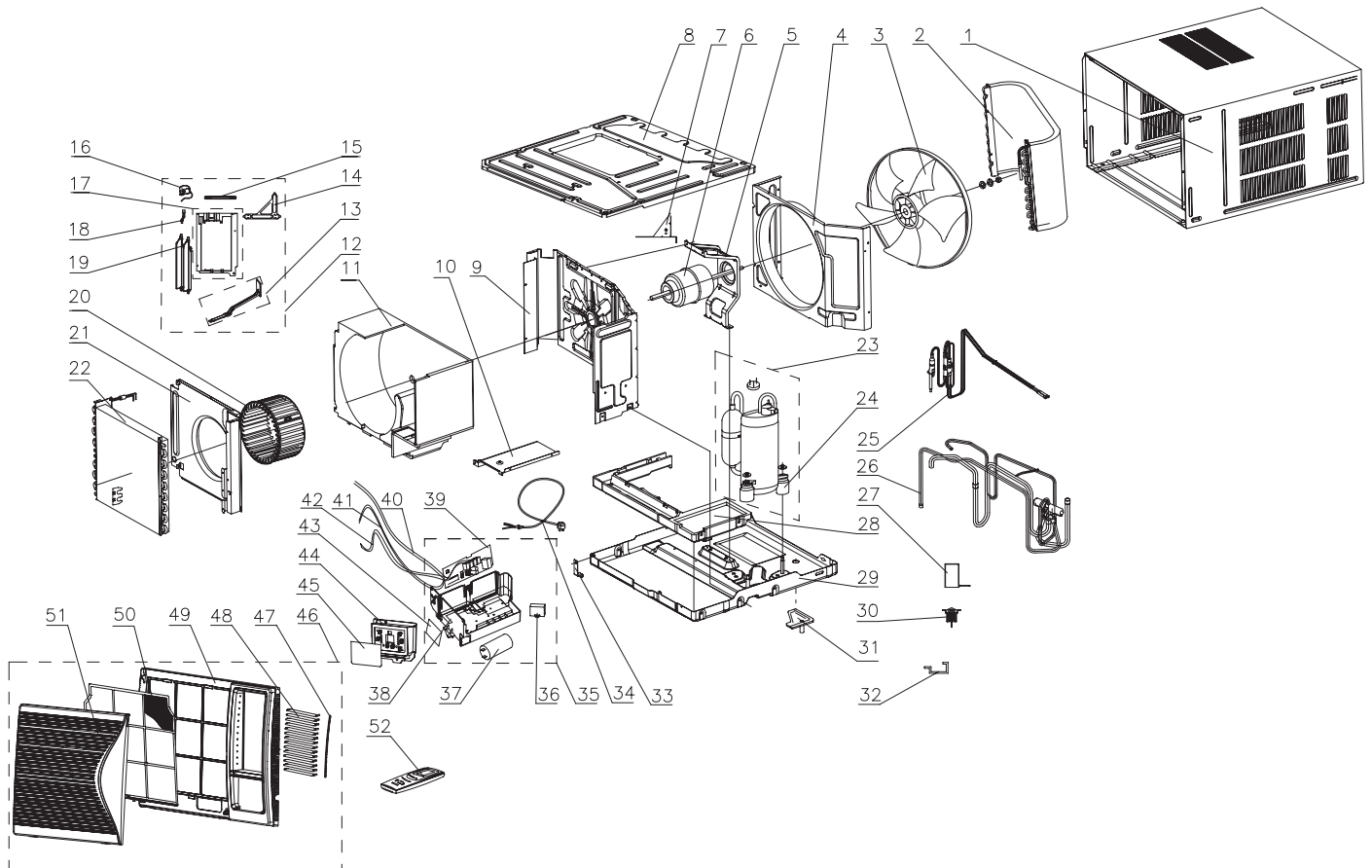
**GJH12AD-K3RNB9D**

## Spare Parts List

No.	Part Description	Part Code
1	Cabinet Assy	01431170
2	Condenser Assy	01101117
3	Axial Flow Fan	10331163
4	Rear Clapboard	01231502
5	Motor Support 1	01701605
6	Fan Motor	150116065
7	Top Cover Board Sub-assy	01251503
8	Front Clapboard Sub-Assy	01231804
9	Base Plate Of Air Flue	01221602
10	Propeller Housing	12101602
11	Air Outlet Sub-Assy	2000103601
12	Air Door Lever	10581601
13	Swing Lever	10581602
14	Swing Lever2	10581021
15	Stepping Motor	1521211601
16	Swing Blade Support	10581603
17	Crank	73011001
18	Air Louver	10511601
19	Centrifugal Fan Sub-Assy	10311501
20	Front Clapboard of Propeller Housing	01231604
21	Evaporator Assy	01001292
22	Compressor and Fittings	00101302
23	Compressor Gasket	76711043
24	Capillary Sub-assy	03001970
25	4-Way Valve Assy	03021110
26	Magnet Coil	430004017
27	Water Tray Sub-Assy	20181135
28	Chassis Sub-assy	0120122001P
29	Drainage Valve	07100164
30	Drainage Box	N/A
31	Cabinet Fastener	26251601
32	Chassis Clamp	01211601
33	Power Cord	40020491
34	Electric Box Assy	20101432
35	Capacitor CBB65	33010743
36	Capacitor CBB61S	33010037
37	Electric Box	20111031
38	Main Board	30132091
39	Temperature Sensor	390000596
40	Temperature Sensor	390000451
41	Temperature Sensor	390000372
42	Display Board	30562019
43	LCD Board(Remote Control)	20120037
44	Membrane	2243113201
45	Front Panel Assy	20001440
46	Guide Blade Lever	10581604
47	Guide Blade	105116021
48	Front Case	20001601
49	Filter Sub-Assy	11121601
50	Front Panel 1	20001433
51	Remote Controller	30511030

# GJH18AC-K3RNB9D

## Exploded View



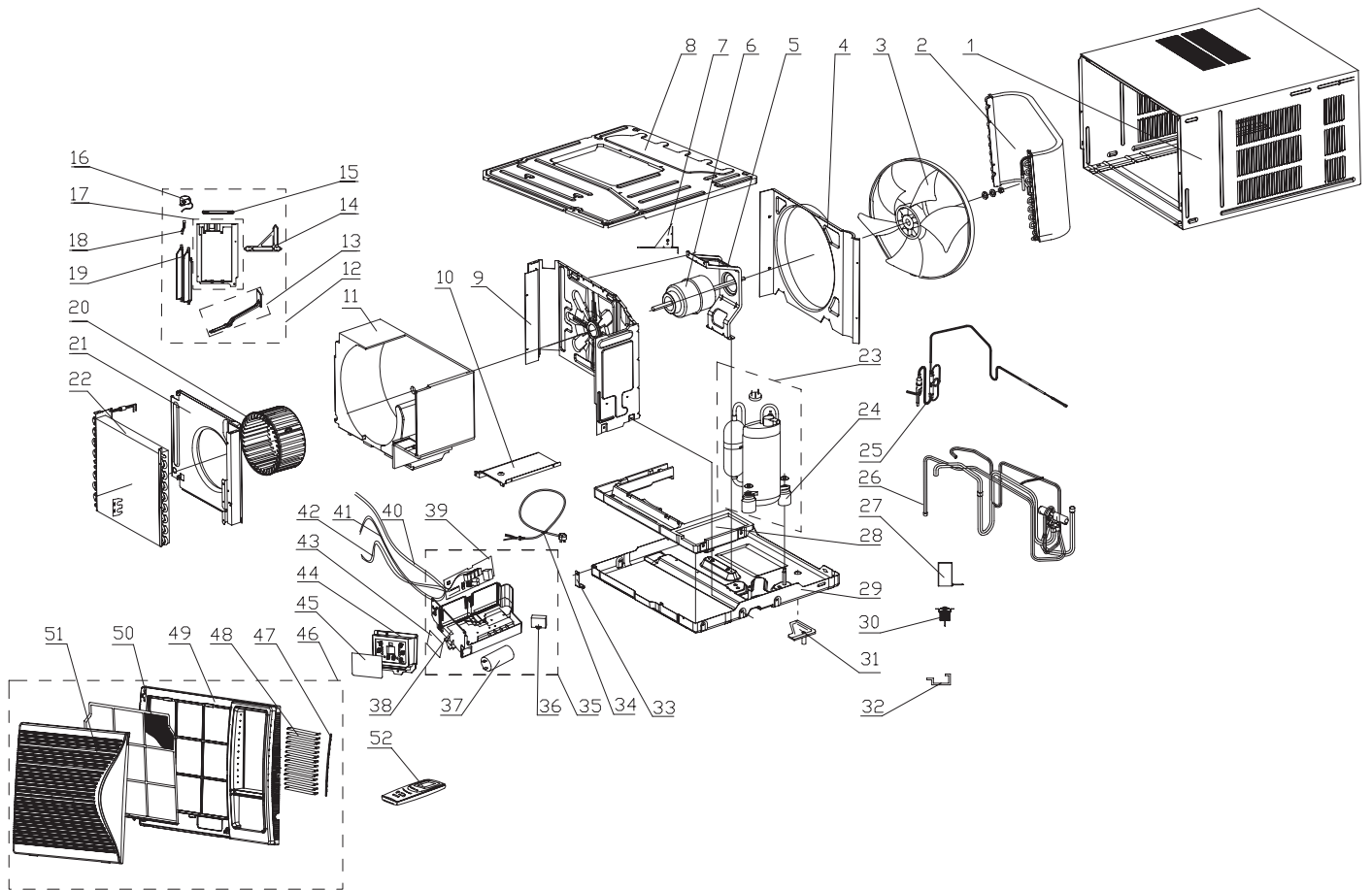
**GJH18AC-K3RNB9D**

## Spare Parts List

No.	Part Description	Part Code
1	Cabinet Assy	014316182
2	Condenser Assy	01101116
3	Axial Flow Fan	10331163
4	Rear Clapboard	01231099
5	Motor Support 1	01701605
6	Fan Motor	1501120707
7	Motor Support 2	01701604
8	Top Cover Board Sub-assy	01251611
9	Front Clapboard Sub-Assy	01231804
10	Base Plate Of Air Flue	01221602
11	Propeller Housing	12101602
12	Air Outlet Sub-Assy	2000103601
13	Air Door Lever	10581601
14	Swing Lever	10581602
15	Swing Lever2	10581021
16	Stepping Motor	1521211601
17	Swing Blade Support	10581603
18	Crank	73011001
19	Air Louver	10511601
20	Centrifugal Fan Sub-Assy	10311501
21	Front Clapboard of Propeller Housing	01231604
22	Evaporator Assy	01001292
23	Compressor and Fittings	00101300
24	Compressor Gasket	76812805
25	Capillary Sub-assy	03001495
26	4-Way Valve Assy	03021227
27	Magnet Coil	430004017
28	Water Tray Sub-Assy	20181135
29	Chassis Sub-assy	0120110701P
30	Drainage Valve	07100164
31	Drainage Box	20181801
32	Cabinet Fastener	26251601
33	Chassis Clamp	01211601
34	Power Cord	400204911
35	Electric Box Assy	20101421
36	Capacitor CBB61S	33010009
37	Capacitor CBB65	33000012
38	Electric Box	20111031
39	Main Board	30132091
40	Temperature Sensor	390000596
41	Temperature Sensor	390000451
42	Temperature Sensor	390000372
43	Display Board	30562019
44	LCD Board(Remote Control)	20120037
45	Membrane	2243113201
46	Front Panel Assy	20001440
47	Guide Blade Lever	10581604
48	Guide Blade	105116021
49	Front Case	20001601
50	Filter Sub-Assy	11121601
51	Front Panel 1	20001433
52	Remote Controller	30511030

# GJH21AC-K3RNB9D

## Exploded View





**GJH21AC-K3RNB9D**

## Spare Parts List

No.	Part Description	Part Code
1	Cabinet Assy	01431118
2	Condenser Assy	01101118
3	Axial Flow Fan	10331163
4	Rear Clapboard	01231099
5	Motor Support 1	01701605
6	Fan Motor	1501120707
7	Motor Support 2	01701604
8	Top Cover Board Sub-assy	01251611
9	Front Clapboard Sub-Assy	012318041
10	Base Plate Of Air Flue	01221602
11	Propeller Housing	12101602
12	Air Outlet Sub-Assy	2000103601
13	Air Door Lever	10581601
14	Swing Lever	10581602
15	Swing Lever2	10581021
16	Stepping Motor	1521211601
17	Swing Blade Support	10581603
18	Crank	73011001
19	Air Louver	10511601
20	Centrifugal Fan Sub-Assy	10311501
21	Front Clapboard of Propeller Housing	01231604
22	Evaporator Assy	1001100
23	Compressor and Fittings	00101299
24	Compressor Gasket	76711043
25	Capillary Sub-assy	3001498
26	4-Way Valve Assy	3021191
27	Magnet Coil	430004017
28	Water Tray Sub-Assy	20181135
29	Chassis Sub-assy	0120110701P
30	Drainage Valve	07101001
31	Drainage Box	20181801
32	Cabinet Fastener	26251601
33	Chassis Clamp	01211601
34	Power Cord	400204911
35	Electric Box Assy	20101480
36	Capacitor CBB61S	33010009
37	Capacitor CBB65	33000001
38	Electric Box	20111033
39	Main Board M214F2BDJ	30132092
40	Temperature Sensor	390000451
41	Temperature Sensor	390000596
42	Temperature Sensor	390000372
43	Display Board	30562019
44	LCD Board(Remote Control)	20120037
45	Membrane	2243113201
46	Front Panel Assy	20001440
47	Guide Blade Lever	10581604
48	Guide Blade	105116021
49	Front Case	20001601
50	Filter Sub-Assy	11121601
51	Front Panel 1	20001433
52	Remote Controller	30511030

It is the policy of Gree Australia to introduce continuous product improvements.  
Accordingly, specifications are subject to change without notice.  
Please consult with your dealer to confirm the specifications of the model selected.

1800 473 346  
[greeac.com.au](http://greeac.com.au)

